

WMMS D/ID LED



HOUSING

TO BE FORMED FROM 20GA. CRS.
FINISH: BAKED WHITE ENAMEL (STANDARD)
ALL FIXTURES ARE PRE-WIRED.
ALL STEEL PARTS ARE PHOSPHATE
TREATED FOR CORROSION RESISTANCE
BEFORE PAINT PROCEDURE, THEN
BAKED WITH SUPERIOR ADHESION FOR
DURABILITY.

LED MODULES

MID POWER FR4 LED
(INSTALLED 3000K-4000K)
1 LIGHT CROSS SECTION ARRAY

DRIVERS

LED ELECTRONIC DRIVER 30W-75W
VOLTAGE: 120V-277V (UNIVERSAL)
CLASS 2
UL AND ROHS COMPLIANCE

REFLECTOR

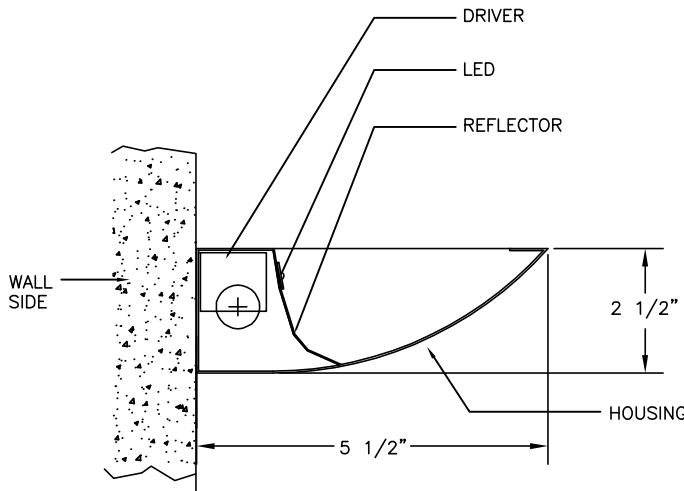
TO BE FORMED FROM 20GA. CR.S.
FINISH: BAKED WHITE ENAMEL
WITH 89% REFLECTIVITY

MOUNTING

WALL MOUNT

PRODUCT DESCRIPTION

THE BLENDING OF AESTHETICALLY SHAPED STEEL AND
TRANSLUCENT DIFFUSERS CREATES AN ENVIRONMENT
SUITABLE FOR CONTEMPORARY SPACE DESIGN, 50,000 HOURS
OF DIRECT/INDIRECT LIFE AND EXCELLENT COLOR ARE THE
PRODUCTS OF THE INNOVATIVE LED SYSTEM. THE WALL MOUNT
WMMS IS AVAILABLE WITH OCCUPANCY CONTROLS.



TYPE:

PROJECT:

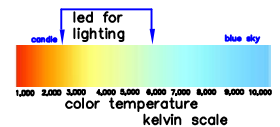
EVEN AND VISUALLY
COMFORTABLE LED
LIGHT DISTRIBUTION
ACROSS PROFILE OF
THE PRODUCT

50% ENERGY
SAVINGS COMPARED
TO LINEAR
FLUORESCENT

SUSTAINABLE
MATERIALS

ARRAY OF LUMEN
OPTIONS ALL
LM79/LM80 UL
APPROVED

5 YEAR WARRANTY
LED AND DRIVER



ORDERING KEY

SERIES	Lumens/ft(Watts/ft)	LENGTH	COLOR TEMP	MOUNTING	VOLTAGE	OPTIONS
WMMS LED	LO 593(5.91)	<input type="checkbox"/> 4'	<input type="checkbox"/> 2700K	<input type="checkbox"/> WM - WALL	<input type="checkbox"/> 120 V	<input type="checkbox"/> EM
	MO 831(8.12)	<input type="checkbox"/> 8'	<input type="checkbox"/> 3000K		<input type="checkbox"/> 277 V	<input type="checkbox"/> DIM 0-10
	HO 1104(10.78)	<input type="checkbox"/> ROWS	<input type="checkbox"/> 3500K		<input type="checkbox"/> UNIVERSAL	<input type="checkbox"/> DALI
			<input type="checkbox"/> 4000K			<input type="checkbox"/> L3DA-3Wire Eco1%
			<input type="checkbox"/> 5000K			<input type="checkbox"/> LDE1 - Eco1%
						<input type="checkbox"/> SENSOR(OCC/VAC)

LUMENS WILL VARY
DEPENDING ON DIFFUSER
AND LED COLOR TEMP.

NATIONAL 3E/LED SERIES USES ENGINE/STICK ORIGINAL EQUIPMENT (BY OSRAM, PHILIPS,
SAMSUNG, ET AL) WHICH ARE RATED FOR APPROXIMATELY 100 LMW/T. ARCHITECTURAL
LENSES PROVIDED WITH THE LUMINAIRES BY DESIGN EVEN THE BRIGHTNESS AND VISUAL
COMFORT AND MIGHT FRACTIONALLY LOWER LMW/T.



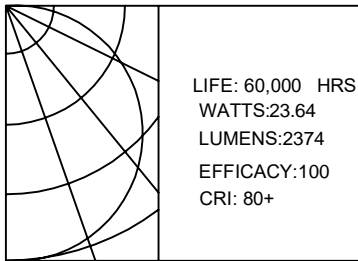
522 CORTLANDT ST.
BELLEVILLE, NJ 07109

NJ 973-751-1600
NY 212-751-1600
FAX 973-751-4931
WWW.NATLTG.COM

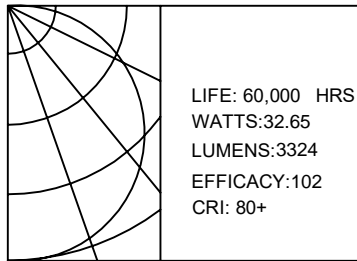


PHOTOMETRICS

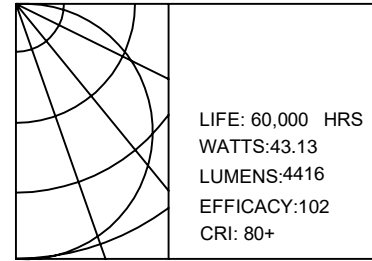
WMMS LED-LO



WMMS LED-MO

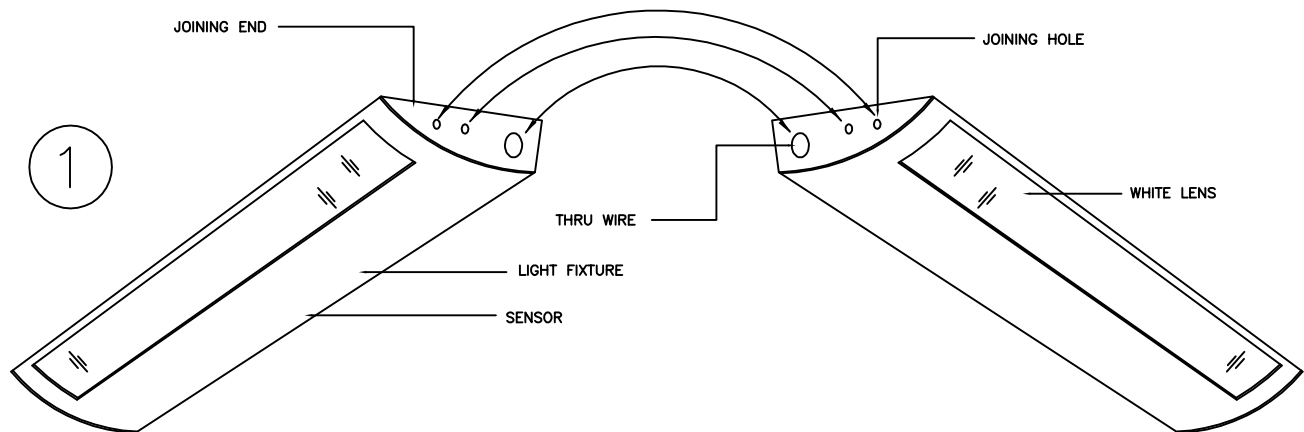


WMMS LED-HO

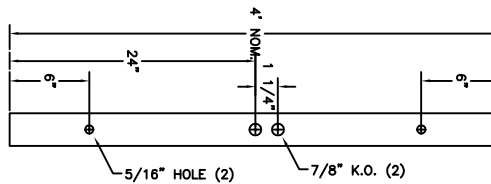


ALL VALUES ARE BASED ON 4' SECTION

JOINING AND INSTALLATION INSTRUCTIONS



BACK PLAN



LIGHTING CONTROL SOLUTIONS

- DIMMING (0-10V, DALI Or Lutron)**
 - 0-10V Dimming Driver used as standard.
 - Continuous Dimming up to 10%.
 - Dimming wires not provided unless specified
 - Contact National for Dali or Lutron Control system
- Occ/DAYLIGHT/Vacancy/Bi-Level**
 - Sensor-ready and compatible drivers provided.
 - Sensors can be field installed or could be installed in the fixtures
 - Bi-level dimming and Motion sensors also available
- Compatibility:**

National fixtures are compatible with Lutron, Philips Easy Sense, Magnum, Wattstopper, Hubbell , Leviton , Hytronik , Daintree & Enlighted Control System

SENSOR OPTION



NATIONAL LIGHTING
COMPANY, INC.
522 CORTLANDT ST.
BELLEVILLE, NJ 07109

NJ 973-751-1600
NY 212-751-1600
FAX 973-751-4931
WWW.NATLTG.COM

JOB NAME:
CATALOG:
TYPE: