

# VOYAGER D/ID LED

## HOUSING

TO BE FORMED FROM 20GA CRS.  
FINISH: BAKED WHITE ENAMEL (STANDARD)  
ALL FIXTURES ARE PRE-WIRED.  
ALL STEEL PARTS ARE PHOSPHATE  
TREATED FOR CORROSION RESISTANCE  
BEFORE PAINT PROCEDURE, THEN  
BAKED WITH SUPERIOR ADHESION FOR  
DURABILITY.

## LED MODULES

MID POWER FR4 LED  
(INSTALLED 3000K-4000K)  
2 LIGHT CROSS SECTION ARRAY

## DRIVERS

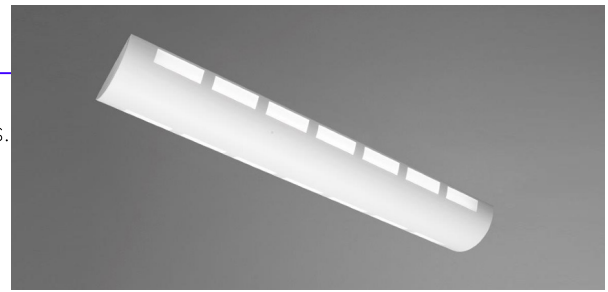
LED ELECTRONIC DRIVER 30W-75W  
VOLTAGE: 120V-277V (UNIVERSAL)  
CLASS 2  
UL AND ROHS COMPLIANCE

## REFLECTOR

TO BE FORMED FROM 20GA. CR.S.  
FINISH: BAKED WHITE ENAMEL  
WITH 89% REFLECTIVITY

## MOUNTING

CABLE MOUNT / PENDANT



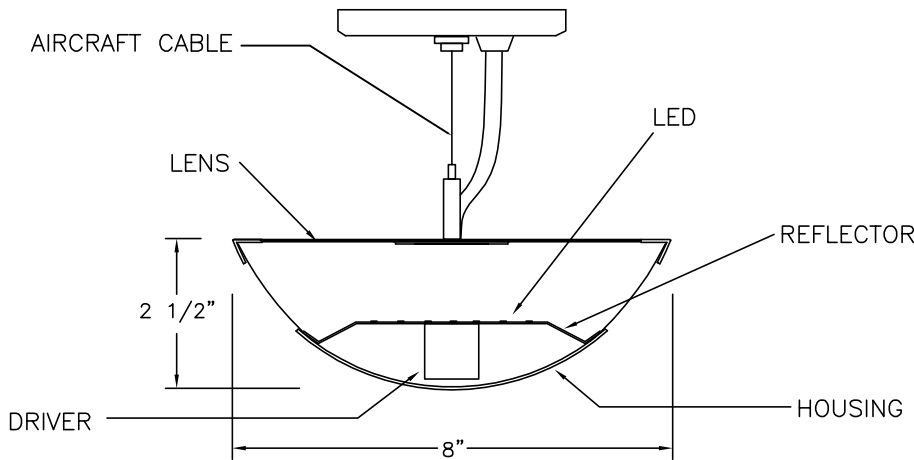
## PRODUCT DESCRIPTION

THE VOYAGER IS A LED DIRECT/INDIRECT LIGHTING SOLUTION WHICH OPTIMIZES UNINTERRUPTED LED TECHNOLOGY FOR FIXTURES LIBERALLY SPACED IN OPEN OFFICE AREAS  
***THE APERTURED LASER CUT OUTSIDE WINDOWS PERFECTLY ILLUMINATED ARE A DIRECT LIGHTING AND VISUALLY COMFORTABLE SOLUTION. THE UPLIGHT COMPONENT OF THE VOYAGER DELIVERS REMARKABLY WIDE DISTRIBUTION WITH THE EXACTING COLOR RENDITION AND 50000 HOUR LIFE OF LED TECHNOLOGY.***

ENERGY CONSUMPTION IS SIGNIFICANTLY REDUCED BY THE USE OF STATE OF THE ART LED STICKS AND DRIVERS. THE VOYAGER IS UNIQUELY SUITED FOR LONG CONTINUOUS RUNS.

TYPE:

PROJECT:



EVEN AND VISUALLY COMFORTABLE LED LIGHT DISTRIBUTION ACROSS PROFILE OF THE PRODUCT

50% ENERGY SAVINGS COMPARED TO LINEAR FLUORESCENT

SUSTAINABLE MATERIALS

ARRAY OF LUMEN OPTIONS ALL LM79/LM80 UL APPROVED

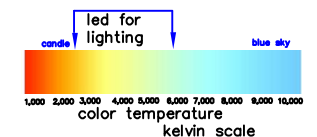
5 YEAR WARRANTY LED AND DRIVER

## ORDERING KEY

SERIES	Lumens/ft(Watts/ft)	LENGTH	COLOR TEMP	MOUNTING	VOLTAGE	OPTIONS
VOYAGER LED	<input type="checkbox"/> LO 743(6.75) <input type="checkbox"/> MC 939.25(8.82) <input type="checkbox"/> HO 1324(12.75)	<input type="checkbox"/> 4' <input type="checkbox"/> 8' <input type="checkbox"/> ROWS	<input type="checkbox"/> 2700K <input type="checkbox"/> 3000K <input type="checkbox"/> 3500K <input type="checkbox"/> 4000K <input type="checkbox"/> 5000K	<input type="checkbox"/> AC - CABLE <input type="checkbox"/> P - STEM <input type="checkbox"/> 24" <input type="checkbox"/> 48" <input type="checkbox"/> OTHER____	<input type="checkbox"/> 120 V <input type="checkbox"/> 277 V <input type="checkbox"/> UNIVERSAL	<input type="checkbox"/> EM <input type="checkbox"/> DIM 0-10 <input type="checkbox"/> DALI <input type="checkbox"/> L3DA-3Wire or Eco1% <input type="checkbox"/> LDE1 - Eco1% <input type="checkbox"/> SENSOR(OCC/VAC)

LUMENS WILL VARY DEPENDING ON DIFFUSER AND LED COLOR TEMP.

NATIONAL 3E/LED SERIES USES ENGINE/STICK ORIGINAL EQUIPMENT (BY OSRAM, PHILIPS, SAMSUNG, ET AL) WHICH ARE RATED FOR APPROXIMATELY 100 LM/W. ARCHITECTURAL LENSES PROVIDED WITH THE LUMINAIRES BY DESIGN EVEN THE BRIGHTNESS AND VISUAL COMFORT AND MIGHT FRACTIONALLY LOWER LM/W.



522 CORTLANDT ST.  
BELLEVILLE, NJ 07109

NJ 973-751-1600  
NY 212-751-1600  
FAX 973-751-4931  
WWW.NATLTG.COM

Modules and drivers are UL recognized components and RoHS compliant. LED modules also comply with IENSA LM-79 and LM-80 standards.

