

S23 LED

HOUSING

THE 3 INCH NOMINAL DEEP HSG TO BE FORMED FROM 20GA CRS. FINISHED BAKED WHITE ENAMEL (STANDARD) ALL FIXTURES ARE PRE-WIRED. ALL STEEL PARTS ARE PHOSPHATE TREATED FOR CORROSION RESISTANCE BEFORE PAINT PROCEDURE, THEN BAKED WITH SUPERIOR ADHESION FOR DURABILITY.

LED MODULES

HIGHER EFFICACY UP TO 170 LPW WITH SERVICE LIFE GREATER THAN 60000(L70) HIGH COLOR RENDER AND EXCELLENT COLOR CONSISTENCY COLOR OPTIONS AVAILABLE FROM 27K TO 40K . 90 CRI LEDS AVAILABLE AS OPTIONAL

DRIVERS

CONSTANT CURRENT, CLASS 2
UNIVERSAL INPUT : 120-277VAC
SOUND RATED A, 54V OUTPUT 0-10V
DIMMING STANDARD .
DALI, ECOSYSTEM AND DMX DRIVERS ALSO AVAILABLE

REFLECTOR

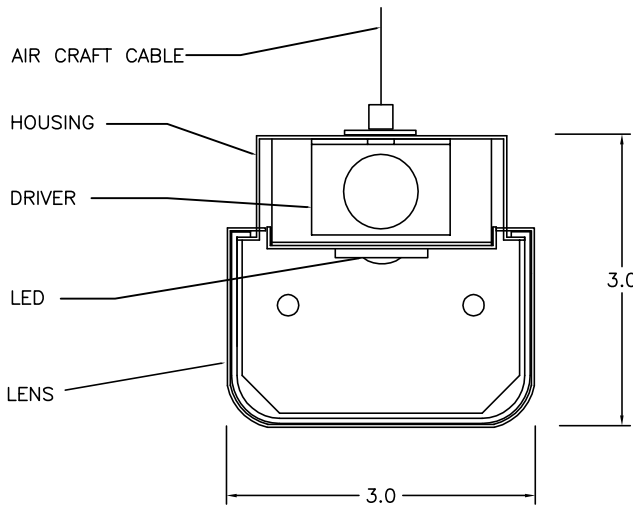
TO BE FORMED FROM 20GA CRS
FINISH: BAKED WHITE ENAMEL WITH 90% REFLECTIVITY

MOUNTING

SURFACE,PENDANT, CABLE AND WALL MOUNT

PRODUCT DESCRIPTION

THE LED LINEAR FIXTURE IS A LOW PROFILE SERIES OF SURFACE, PENDANT OR AIRCRAFT CABLE UTILIZING A EXTRUDED FROSTED, PRISMATIC DIFFUSER. THE DIFFUSER MOUNTS SECURELY TO THE FIXTURE HOUSING WITHOUT VISIBLE HARDWARE. THE S23 IS HIGH EFFICIENCY WITH A MINIMUM OF 60000 HRS LAMP LIFE AND COLOR CONSISTENCY INTEGRATED OCCUPANCY SENSORS AND EMERGENCY OPERATION IS AVAILABLE



TYPE:

PROJECT:

EVEN AND VISUALLY COMFORTABLE LED LIGHT DISTRIBUTION ACROSS PROFILE OF THE PRODUCT

50% ENERGY SAVINGS COMPARED TO LINEAR FLUORESCENT

SUSTAINABLE MATERIALS

ARRAY OF LUMEN OPTIONS ALL LM79/LM80 UL APPROVED

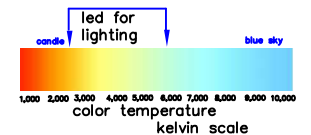
5 YEAR WARRANTY LED AND DRIVER

ORDERING KEY

SERIES	Lumens/Ft / (Watts/ft)	LENGTH	COLOR TEMP	MOUNTING	VOLTAGE	OPTIONS
S23 LED	<input type="checkbox"/> LO 658(6.1)	<input type="checkbox"/> 2'	<input type="checkbox"/> 2700K**	<input type="checkbox"/> WM-WALL	<input type="checkbox"/> 120 V	<input type="checkbox"/> EM
	<input type="checkbox"/> MO 875(8)	<input type="checkbox"/> 4'	<input type="checkbox"/> 3000K	<input type="checkbox"/> AC - CABLE	<input type="checkbox"/> 277 V	<input type="checkbox"/> DIM 0-10
	<input type="checkbox"/> HO 1080(10)	<input type="checkbox"/> 8'	<input type="checkbox"/> 3500K	<input type="checkbox"/> SM-SURFACE	<input type="checkbox"/> UNIVERSAL	<input type="checkbox"/> DALI
		<input type="checkbox"/> Rows	<input type="checkbox"/> 4000K	<input type="checkbox"/> P - STEM		<input type="checkbox"/> LDE1 - Eco1%
			<input type="checkbox"/> 5000K	<input type="checkbox"/> 24"		<input type="checkbox"/> L3DA-3Wire or Eco1%
				<input type="checkbox"/> 48"		<input type="checkbox"/> SENSOR(OCC/VAC)
				<input type="checkbox"/> OTHER		

LUMENS WILL VARY DEPENDING ON DIFFUSER AND LED COLOR TEMP.

NATIONAL 3E/LED SERIES USES ENGINE/STICK ORIGINAL EQUIPMENT (BY OSRAM, PHILIPS, SAMSUNG, ET AL) WHICH ARE RATED FOR APPROXIMATELY 100 LM/W. ARCHITECTURAL LENSES PROVIDED WITH THE LUMINAIRES BY DESIGN EVEN THE BRIGHTNESS AND VISUAL COMFORT AND MIGHT FRACTIONALLY LOWER LM/W.



522 CORTLANDT ST.
BELLEVILLE, NJ 07109

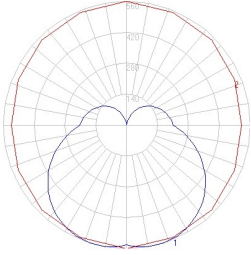
NJ 973-751-1600
NY 212-751-1600
FAX 973-751-4931
WWW.NATLTG.COM

Modules and drivers are UL recognized components and RoHS compliant. LED modules also comply with IENSA LM-79 and LM-80 standards.



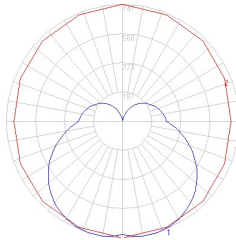
PHOTOMETRICS

S23 LED-LO



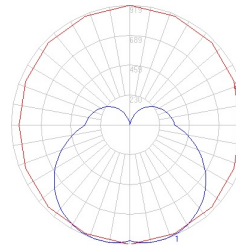
LIFE: 60,000 HRS
 WATTS:24.5
 LUMENS:2635
 EFFICACY:108
 CRI: 80+

S23 LED-MO



LIFE: 60,000 HRS
 WATTS:31.8
 LUMENS:3513
 EFFICACY:110
 CRI: 80+

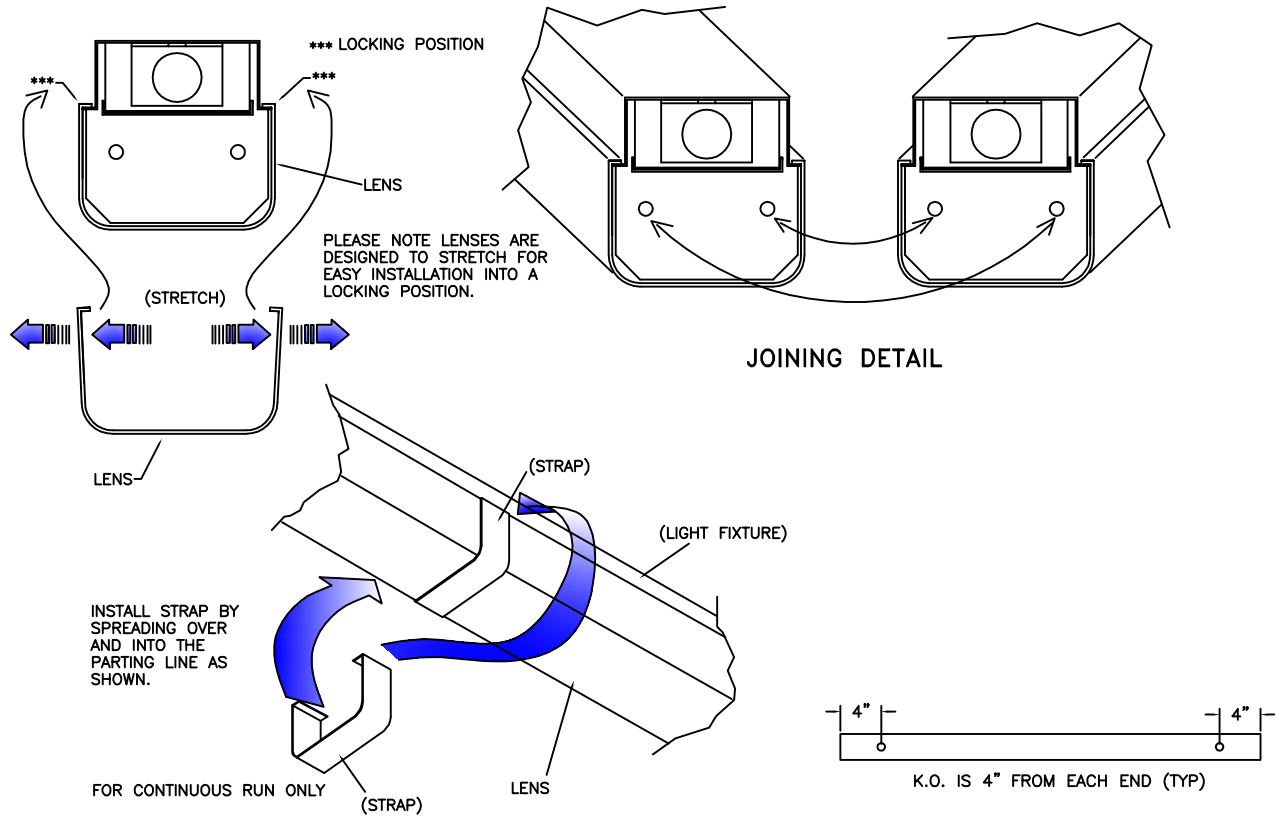
S23 LED-HO



LIFE: 60,000 HRS
 WATTS:40
 LUMENS:4321
 EFFICACY:108
 CRI: 80+

All values are based on 4' Section.

INSTALLATION INSTRUCTIONS

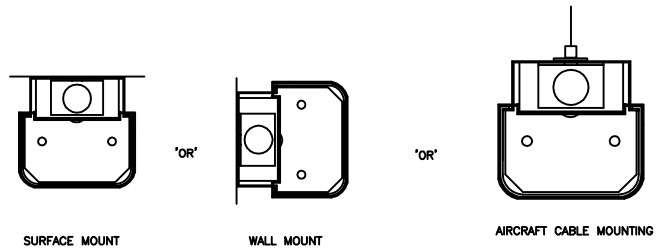


LIGHTING CONTROL SOLUTIONS

- DIMMING (0-10V, DALI Or Lutron)**
 - 0-10V Dimming Driver used as standard.
 - Continuous Dimming up to 10%.
 - Dimming wires not provided unless specified
 - Contact National for Dali or Lutron Control system
- Occ/DAYLIGHT/Vacancy/Bi-Level**
 - Sensor-ready and compatible drivers provided.
 - Sensors can be field installed or could be installed in the fixtures
 - Bi-level dimming and Motion sensors also available
- Compatibility:**

National fixtures are compatible with Lutron, Philips Actilume, Magnum, Wattstopper, Hubbell , Leviton , Hytronik , Daintree & Enlighted Control System

MOUNTING OPTIONS



NATIONAL LIGHTING
 COMPANY, INC.
 522 CORTLANDT ST.
 BFL1FV11F. NJ 07109

NJ 973-751-1600
 NY 212-751-1600
 FAX 973-751-4931
 WWW.NATIONALLIGHTING.COM

JOB NAME:
CATALOG:
TYPE: