

HL5 LED

HOUSING

THE 4 INCH NOMINAL DEEP HSG TO BE FORMED FROM 20GA CRS. FINISHED BAKED WHITE ENAMEL (STANDARD) ALL FIXTURES ARE PRE-WIRED. ALL STEEL PARTS ARE PHOSPHATE TREATED FOR CORROSION RESISTANCE BEFORE PAINT PROCEDURE, THEN BAKED WITH SUPERIOR ADHESION FOR DURABILITY.

LED MODULES

HIGHER EFFICACY UP TO 170 LPW WITH SERVICE LIFE GREATER THAN 60000(L70) HIGH COLOR RENDER AND EXCELLENT COLOR CONSISTENCY COLOR OPTIONS AVAILABLE FROM 27K TO 40K . 90 CRI LEDS AVAILABLE AS OPTIONAL

DRIVERS

CONSTANT CURRENT, CLASS 2
UNIVERSAL INPUT : 120-277VAC
SOUND RATED A, 54V OUTPUT 0-10V
DIMMING STANDARD .
DALI, ECOSYSTEM AND DMX DRIVERS ALSO AVAILABLE

REFLECTOR

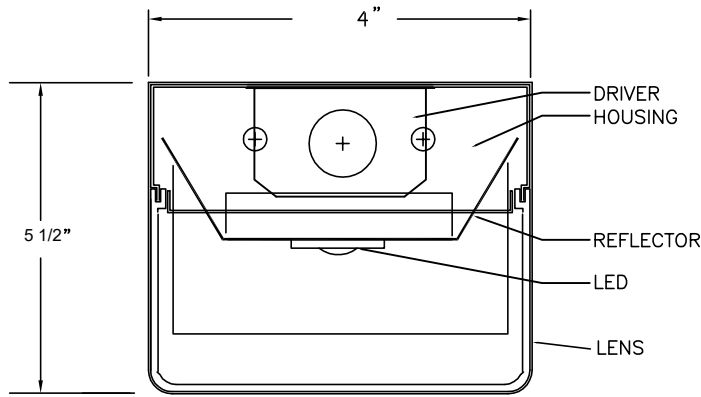
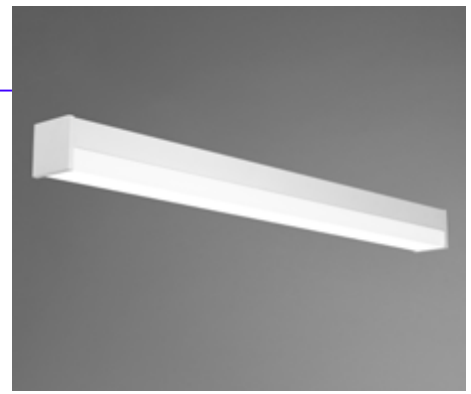
TO BE FORMED FROM 20GA CRS FINISH: BAKED WHITE ENAMEL WITH 90% REFLECTIVITY

MOUNTING

SURFACE/PENDANT MOUNT ,WALL MOUNT

PRODUCT DESCRIPTION

THE HL5 LED SERIES IS A CLEAN ARCHITECTURAL SHAPED FIXTURE THAT CAN BE SURFACE AND WALL MOUNTED. THE DIFFUSER IS A INTEGRALLY WHITE RIBBED 0.125 ACRYLIC. THE DIFFUSER MOUNTS TO THE FIXTURE HOUSING WITH OUT VISIBLE HARDWARE. THE HL5 IS HIGH EFFICIENCY WITH A MINIMUM OF 60000 HOURS OF LED LIFE AND RANGE OF COLOR OPTIONS . INTEGRATED OCCUPANCY SENSORS, EMERGENCY BATTERY AND DIMMING OPTIONS ARE AVAILABLE



TYPE:

PROJECT:

EVEN AND VISUALLY COMFORTABLE LED LIGHT DISTRIBUTION ACROSS PROFILE OF THE PRODUCT

50% ENERGY SAVINGS COMPARED TO LINEAR FLUORESCENT

SUSTAINABLE MATERIALS

ARRAY OF LUMEN OPTIONS ALL LM79/LM80 UL APPROVED

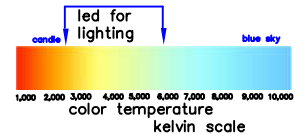
5 YEAR WARRANTY LED AND DRIVER

ORDERING KEY

SERIES	Lumens /Ft / (Watts/Ft)	LENGTH	COLOR TEMP	MOUNTING	VOLTAGE	OPTIONS
HL5 LED	<input type="checkbox"/> LO 576.7(5.56)	<input type="checkbox"/> 2' <input type="checkbox"/> 3' <input type="checkbox"/> 4'	<input type="checkbox"/> 2700K** <input type="checkbox"/> 3000K <input type="checkbox"/> 3500K <input type="checkbox"/> 4000K <input type="checkbox"/> 5000K	<input type="checkbox"/> WM-WALL <input type="checkbox"/> AC - CABLE <input type="checkbox"/> SM-SURFACE <input type="checkbox"/> P - STEM <input type="checkbox"/> 24" <input type="checkbox"/> 48" <input type="checkbox"/> OTHER	<input type="checkbox"/> 120 V <input type="checkbox"/> 277 V <input type="checkbox"/> UNIVERSAL	<input type="checkbox"/> EM <input type="checkbox"/> DIM 0-10 <input type="checkbox"/> DALI <input type="checkbox"/> L3DA-3Wire or Eco1% <input type="checkbox"/> LDE1 - Eco1% <input type="checkbox"/> SENSOR(OCC/VAC)
	<input type="checkbox"/> MG 825(8) <input type="checkbox"/> HO 1130(11.7)					

LUMENS WILL VARY DEPENDING ON DIFFUSER AND LED COLOR TEMP.

NATIONAL 3E/LED SERIES USES ENGINE/STICK ORIGINAL EQUIPMENT (BY OSRAM, PHILIPS, SAMSUNG, ET AL) WHICH ARE RATED FOR APPROXIMATELY 100 LM/W. ARCHITECTURAL LENSES PROVIDED WITH THE LUMINAIRES BY DESIGN EVEN THE BRIGHTNESS AND VISUAL COMFORT AND MIGHT FRACTIONALLY LOWER LM/W.



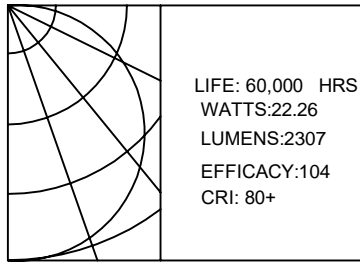
522 CORTLANDT ST.
BELLEVILLE, NJ 07109

NJ 973-751-1600
NY 212-751-1600
FAX 973-751-4931
WWW.NATLTG.COM

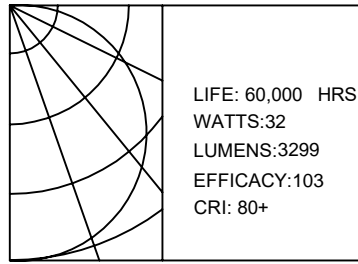


PHOTOMETRICS

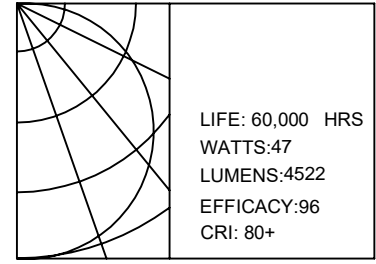
HL5 LED-LO



HL5 LED-MO

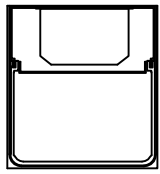


HL5 LED-HO

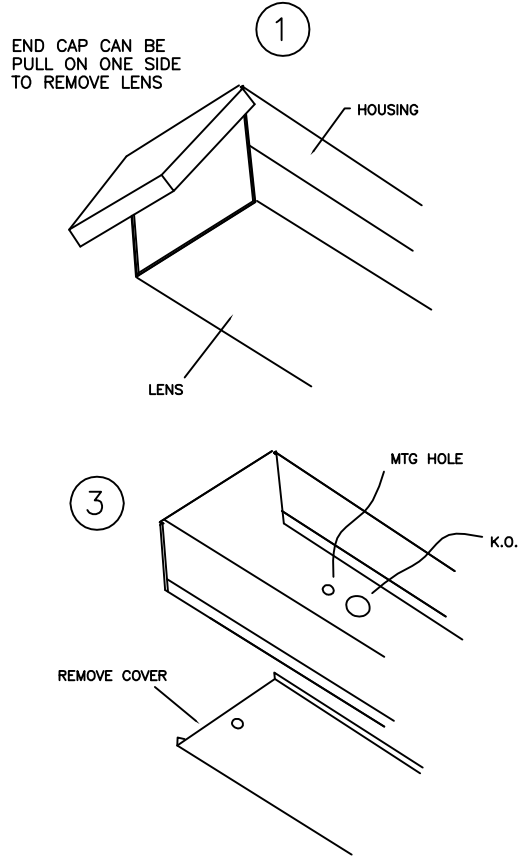
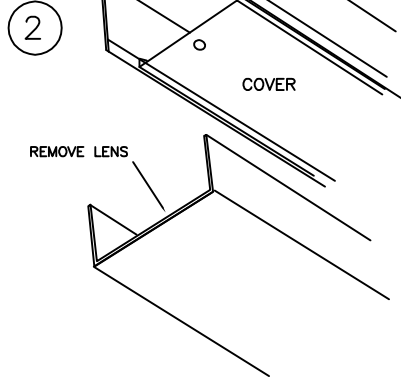


ALL VALUES ARE BASED ON 4' SECTION

INSTALLATION INSTRUCTIONS



LED



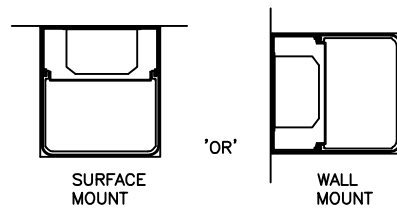
NOTE: MOUNTING HARDWARE TO BE SUPPLIED BY OTHERS.

LIGHTING CONTROL SOLUTIONS

1. DIMMING (0-10V, DALI Or Lutron)
 - 0-10V Dimming Driver used as standard.
 - Continuous Dimming up to 10%.
 - Dimming wires not provided unless specified
 - Contact National for Dali or Lutron Control system
2. Occ/DAYLIGHT/Vacancy/Bi-Level
 - Sensor-ready and compatible drivers provided.
 - Sensors can be field installed or could be installed in the fixtures
 - Bi-level dimming and Motion sensors also available
3. Compatibility:

National fixtures are compatible with Lutron, Philips Actilume, Magnum, Wattstopper, Hubbell , Leviton , Hytronik , Daintree & Enlighted Control System

MOUNTING OPTIONS



NATIONAL LIGHTING
COMPANY, INC.
522 CORTLANDT ST.
BELLEVILLE, NJ 07109

NJ 973-751-1600
NY 212-751-1600
FAX 973-751-4931
WWW.NATLTG.COM

JOB NAME:
CATALOG:
TYPE: