

COVE 33 LED

HOUSING

THE 3 INCH DEEP HSG TO BE FORMED FROM 20GA CRS FORMED FROM 20GA CRS. FINISH BAKED WHITE ENAMEL (STANDARD). ALL FIXTURES ARE PRE-WIRED. ALL STEEL PARTS ARE PHOSPHATE TREATED FOR CORROSION RESISTANCE BEFORE PAINT PROCEDURE, THEN BAKED WITH SUPERIOR ADHESION FOR DURABILITY.

LED MODULES

HIGHER EFFICACY UP TO 170 LPW WITH SERVICE LIFE GREATER THAN 60000(L70) HIGH COLOR RENDER AND EXCELLENT COLOR CONSISTENCY COLOR OPTIONS AVAILABLE FROM 27K TO 40K . 90 CRI LEDS AVAILABLE AS OPTIONAL

DRIVERS

CONSTANT CURRENT, CLASS 2
UNIVERSAL INPUT : 120-277VAC
SOUND RATED A, 54V OUTPUT 0-10V
DIMMING STANDARD .
DALI, ECOSYSTEM AND DMX DRIVERS
ALSO AVAILABLE

REFLECTOR

TO BE FORMED FROM 20GA CRS
FINISH: BAKED WHITE ENAMEL WITH
90% REFLECTIVITY

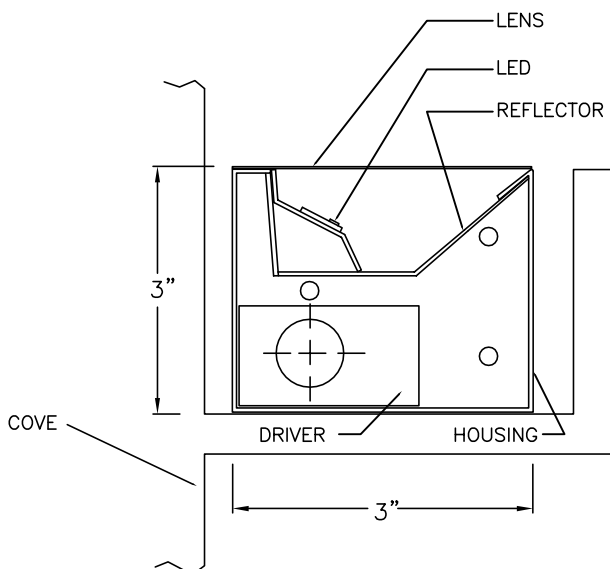
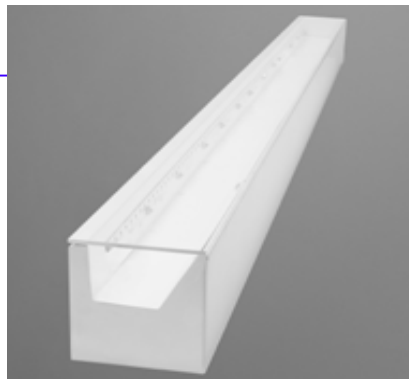
MOUNTING

COVE/WALL

PRODUCT DESCRIPTION

THE COVE 33 SERIES IS DESIGNED FOR COVE AND WALL SLOT APPLICATIONS. THE CONCEALED LED CV33 CAN BE INSTALLED IN A FIELD CONSTRUCTED ARCHITECTURAL COVE. THE OPTICAL ASSEMBLY DELIVERS ASYMMETRIC BEAM PROJECTIONS BROAD LIGHT DISTRIBUTION. INDIVIDUAL UNITS CAN BE PLACED END TO END WITHOUT SOCKET SHADOWS, GENERATING A UNIFORM LIGHT DISTRIBUTION .

THE COVE 33 PROVIDES HIGH PERFORMANCE LED LIGHTING EMANATING FROM A LOW PROFILE ARCHITECTURAL LIGHT SOURCE. THE INTEGRAL REFLECTOR PROJECTS LED LIGHTING INTO THE SPACE AT HIGH ANGLES.



TYPE: _____

PROJECT: _____

EVEN AND VISUALLY COMFORTABLE LED LIGHT DISTRIBUTION ACROSS PROFILE OF THE PRODUCT

50% ENERGY SAVINGS COMPARED TO LINEAR FLUORESCENT

SUSTAINABLE MATERIALS

ARRAY OF LUMEN OPTIONS ALL LM79/LM80 UL APPROVED

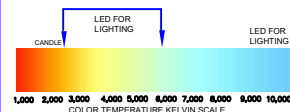
5 YEAR WARRANTY LED AND DRIVER

ORDERING KEY

SERIES	LUMENS/ft (W/ft)	LENGTH	COLOR TEMP	MOUNTING	VOLTAGE	OPTIONS
COVE33LED	<input type="checkbox"/> LO 531.25 (6.25)	<input type="checkbox"/> 4'	<input type="checkbox"/> 2700K**	<input type="checkbox"/> CV - COVE	<input type="checkbox"/> 120 V	<input type="checkbox"/> EM
	<input type="checkbox"/> MC 743 (8.4)	<input type="checkbox"/> 8'	<input type="checkbox"/> 3000K	<input type="checkbox"/> WM - WALL	<input type="checkbox"/> 277 V	<input type="checkbox"/> DIM 0-10
	<input type="checkbox"/> HO 903.25(10)	<input type="checkbox"/> ROWS	<input type="checkbox"/> 3500K		<input type="checkbox"/> UNIVERSAL	<input type="checkbox"/> DALI
			<input type="checkbox"/> 4000K			<input type="checkbox"/> HiLume 1% LTEA2W
			<input type="checkbox"/> 5000K			<input type="checkbox"/> HiLume 1% Eco-LDE1
						<input type="checkbox"/> HiLume 5% LDE5

LUMENS WILL VARY DEPENDING ON DIFFUSER AND LED COLOR TEMP.

NATIONAL 3E/LED SERIES USES ENGINE/STICK ORIGINAL EQUIPMENT (BY OSRAM, PHILIPS, SAMSUNG, ET AL) WHICH ARE RATED FOR APPROXIMATELY 100 LM/W.T. ARCHITECTURAL LENSES PROVIDED WITH THE LUMINAIRES BY DESIGN EVEN THE BRIGHTNESS AND VISUAL COMFORT AND MIGHT FRACTIONALLY LOWER LM/W.T.



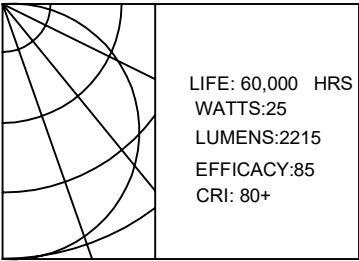
522 CORTLANDT ST.
BELLEVILLE, NJ 07109

NJ 973-751-1600
NY 212-751-1600
FAX 973-751-4931
WWW.NATLTG.COM

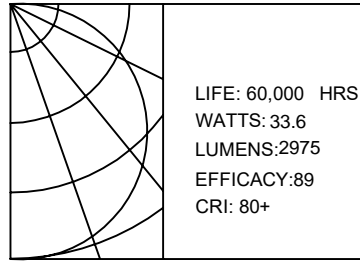


PHOTOMETRIC DATA

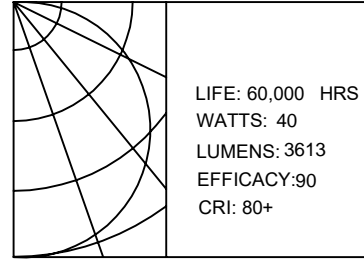
COVE 33 LED-LO



COVE 33 LED-MO

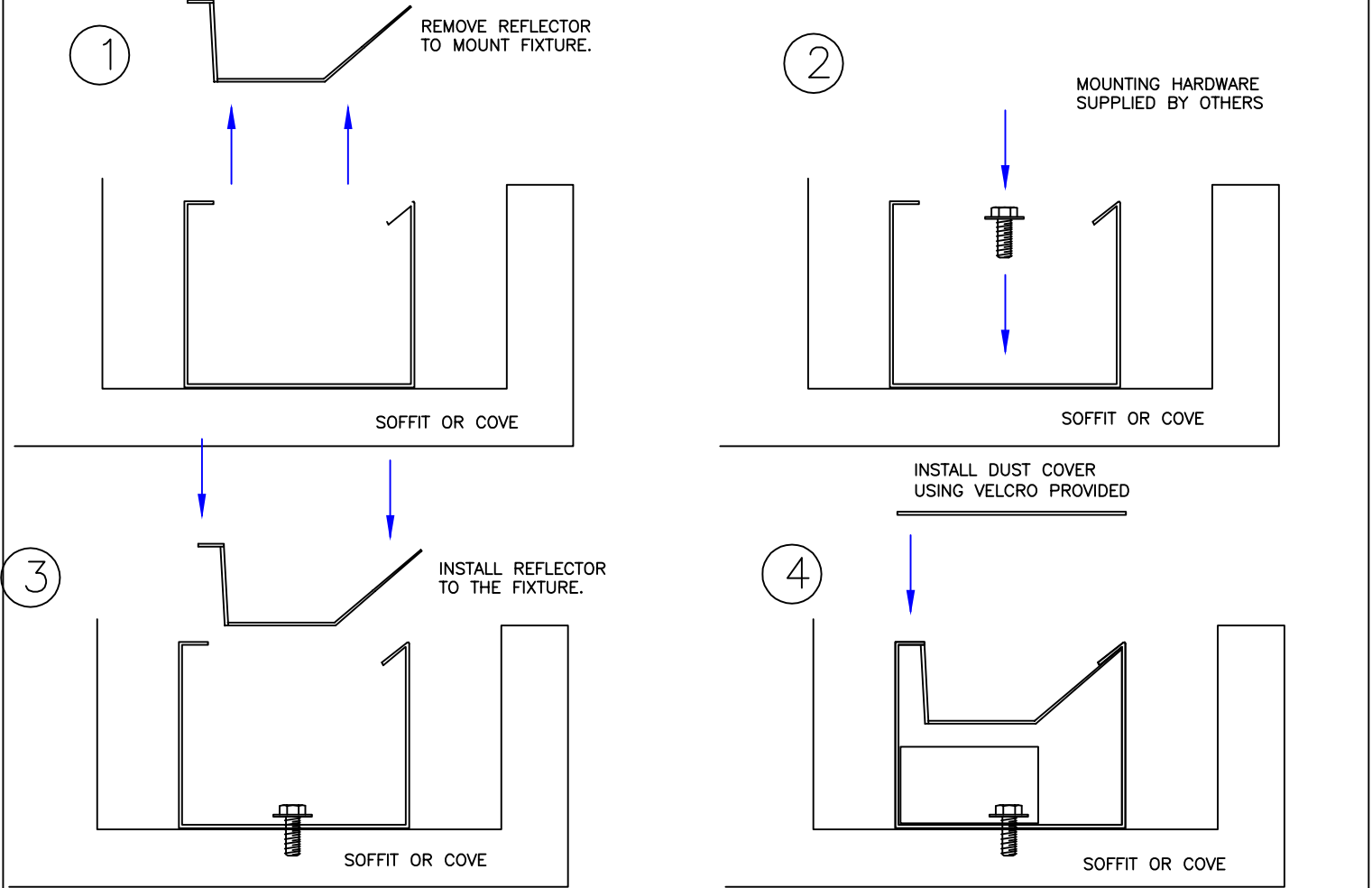


COVE 33 LED-HO



ALL VALUES ARE BASED ON 4' SEC

MOUNTING INSTRUCTIONS

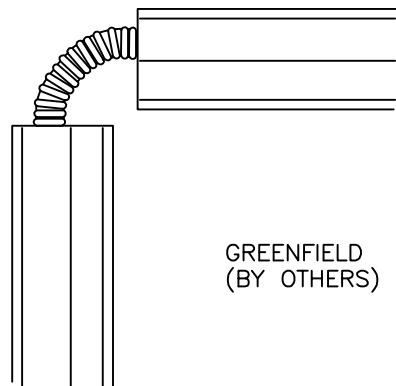


LIGHTING CONTROL SOLUTIONS

- DIMMING (0-10V, DALI Or Lutron)**
 - 0-10V Dimming Driver used as standard.
 - Continuous Dimming up to 10%.
 - Dimming wires not provided unless specified
 - Contact National for Dali or Lutron Control system
- Occ/DAYLIGHT/Vacancy/Bi-Level**
 - Sensor-ready and compatible drivers provided.
 - Sensors can be field installed or could be installed in the fixtures
 - Bi-level dimming and Motion sensors also available
- Compatibility:**

National fixtures are compatible with Lutron, Philips Actilume, Magnum, Wattstopper, Hubbell , Leviton , Hytronik , Daintree & Enlighted Control System

CORNER DETAIL



NATIONAL LIGHTING
COMPANY, INC.
522 CORTLANDT ST.
BELLEVILLE, NJ 07109

NJ 973-751-1600
NY 212-751-1600
FAX 973-751-4931
WWW.NATLTG.COM

JOB NAME:
CATALOG:
TYPE: